

# 1075 ROCKSAW



Tesmec 1075 Rocksaw is a 36 metric ton-class trencher, equipped with a 375 Hp (280kW) Tier 4/ Stage V engine designed for utilities projects and underground energy cable projects in rocky soils.

## STANDARD FEATURES

**Productivity** Achieve high performances in rocky soils with 1075 tractor and rocksaw attachment, offered as standard with stabilizers.

**Technology** Rely on the already included TrenchTronic and Re.M to maximize excavation efficiency and fleet monitoring.

**Safety in cab** Experience the safety of the pressurized cab with air conditioning, heating and sound suppression. This is elevating with ROPS, as well as compartment security locks.

## OPTIONAL FEATURES

- Air compressor and work light package
- Cab Anti-Vandalism Windows Cover
- TrenchIntel, Smart Tracker, Laser automatic system for depth control
- Remote control for maintenance

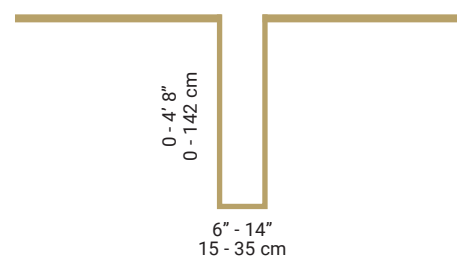
## STATE OF THE ART TECHNOLOGY

**TrenchIntel** The extra high precision 3DGPS guidance system for automatic depth and grade control, autosteering to a predefined path, pass optimization and fleet control.

**TrenchTronic 5.0** Electronic control with operator selectable digging pressure, fully automatic operation, and remote diagnostic system.

**Re.M** The remote monitoring system with machine data remote monitoring, fleet location management, troubleshooting information and operating conditions

## TRENCHING DIMENSIONS



## TRANSPORT DIMENSIONS

	METRIC	US
Lenght	1.018 cm	33' 5"
Width	280 cm	9' 2"
Height	368 cm	12' 1"
Weight	36.700 - 39.500 kg	80.900 - 87.000 lbs
Ground pressure	0.89 - 0.96 kg/cm2	12.6 - 13.6 psi

## ENGINE

	METRIC	US
<b>Model and Max HP (kW)</b>		
Tier 4/Stage V CAT 9.3B ACERT	375 HP (280 kW)	
<b>Max no load rpm</b>	2.000 RPM	
<b>Fuel tank capacity</b>	738 L	195 gal
<b>Fuel consumption (at full load)</b>	73.8 L/hr	19.5 gal/hr
<b>AD Blue/DEF consumption</b>	2.38 L/hr	0.63 gal/hr
<b>Cooling rating</b>	57°C ambient air	135°F ambient air
<b>Air cleaner</b>	Dry type, centrifugal precleaner with primary and secondary filters	

## TRACKS

	METRIC	US
<b>Track chain type</b>	38/320	
<b>Track lenght</b>	336 cm	11'
<b>Track pad width</b>	81 cm	2' 8"
<b>Track pad type</b>	Single, double or triple grouser	

## CRAWLER DRIVE

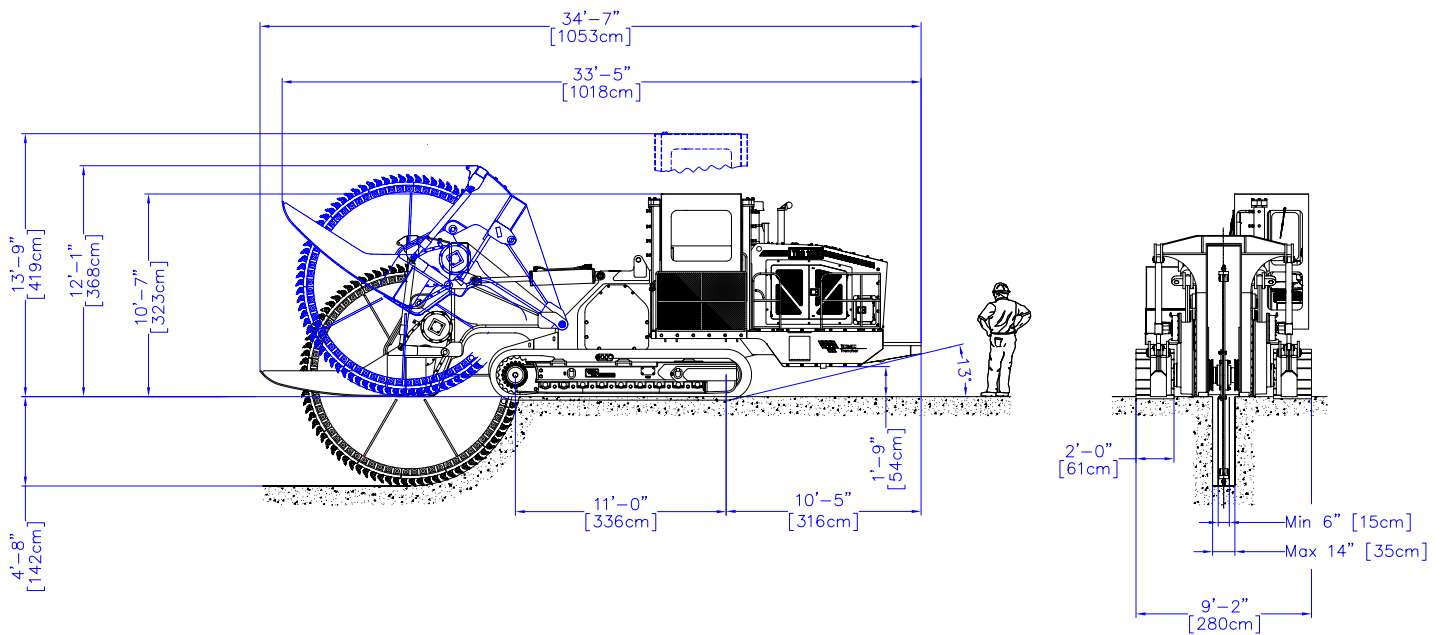
	METRIC	US
<b>Drive</b>	Dual path, hydrostatic, planetary transmissions	
	Full counter rotation with single lever steering	
<b>Infinitely variable speed</b>	Forward and reverse	
High range	0 - 4 km/h	0 - 2.5 mph
Low range	0 - 1.7 km/h	0 - 1.1 mph
<b>Parking and service brake</b>	Spring applied, hydraulic release, wet disc brake	

## DIGGING DRIVE

	METRIC	US
<b>Drive</b>	Hydrostatic, two pumps and two motors	
<b>Flywheel gearboxes</b>	Shaved, helical gearing, case hardened for shock load	
<b>Digging speed ranges</b>	0 - 188 m/min	0 - 617 fpm
<b>Cutters for rock configuration</b>	Rotary carbide tipped	
<b>Cutters shank diameter</b>	3.81 cm	1 - 1/2"
<b>Cutters gage</b>	7.62 cm	3"

## CROSS CONVEYOR SYSTEM

	METRIC	US
Not available in this configuration		



Pictures & drawings can be different according to technical specifications - Updating programme variations without notice are possible

**TESMEC**  
draw the way forward

in YouTube Instagram Facebook  
www.tesmec.com